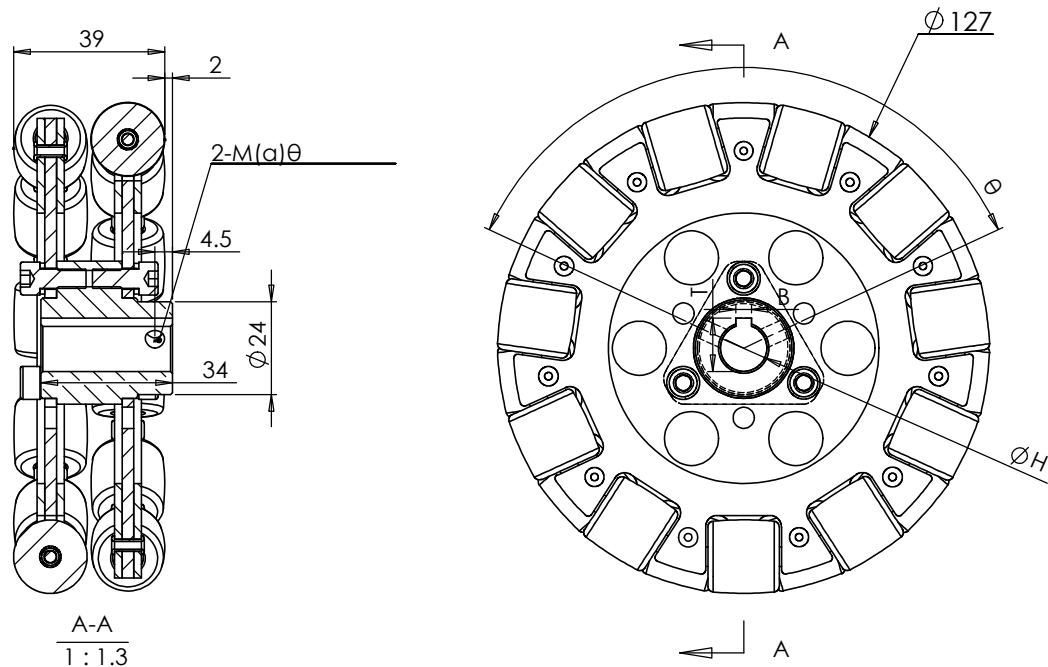


Unit: mm



A-A
1:1.3

5"90 Degree

Dia: 127
 Width: 39
 Rollers: 22
 Bearing: Rolling bearing
 Self-weight: 445g
 Load capacity: 30kg

ØH	5	6	8	10	12	15	16
M(a)	M4	M5	M5	M6	M6	-	-
θ	120°	120°	120°	130°	130°		
B	-	-	-	3	4	5	5
T	-	-	-	11.8	13.8	17.3	17.3
状态		☆	☆	☆	☆		

☆: 常备库存品

						HANGFA	
						QL-13	
						www.hangfa.com	