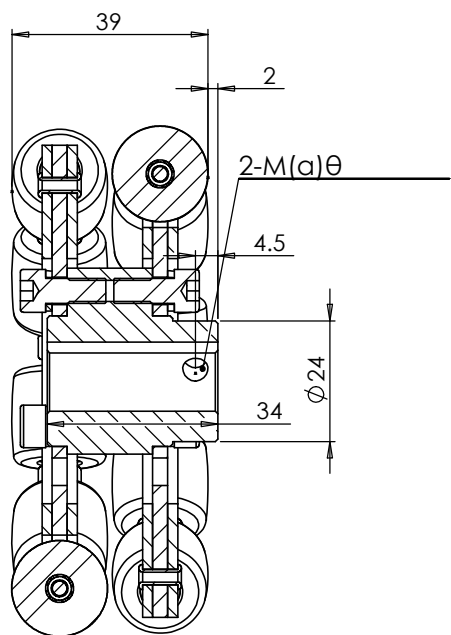
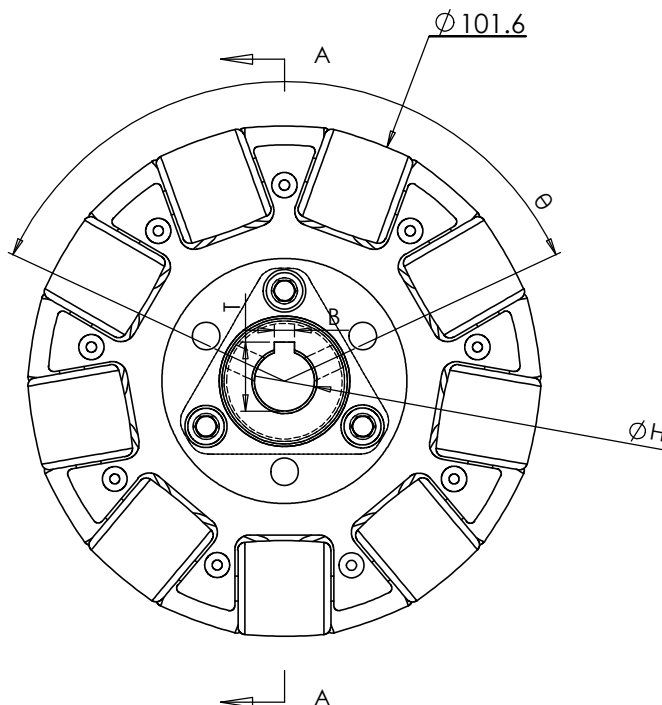


Unit: mm



A-A



4"90 Degree

Dia: 101.6

Width: 39

Rollers: 18

Bearing: Rolling bearing

Self-weight: 340g

Load capacity: 30kg

ØH	5	6	8	10	12	15	16
M(a)	M4	M5	M5	M6	M6	-	-
θ	120°	120°	120°	130°	130°		
B	-	-	-	3	4	5	5
T	-	-	-	11.8	13.8	17.3	17.3
状态		☆	☆	☆	☆		

☆: 常备库存品

						HANGFA	
						QL-10	
						www.hangfa.com	