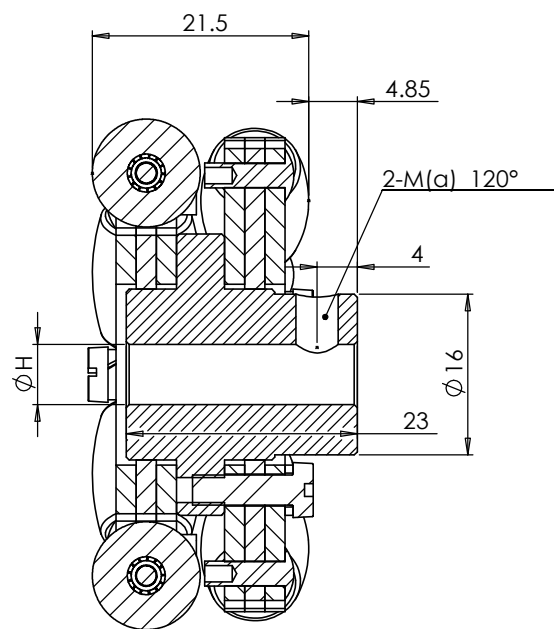
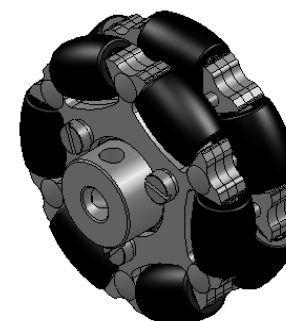
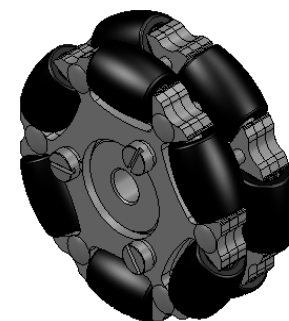
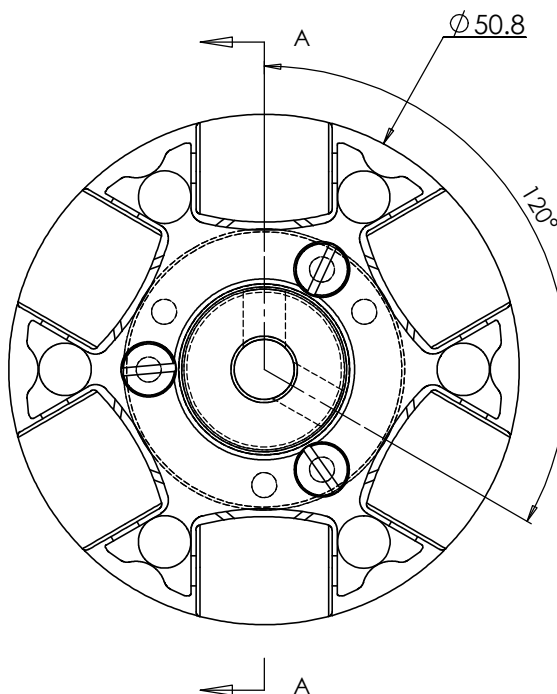


Unit: mm



剖面 A-A



2" 90 Degree

Dia: 50.8

Width: 21.5

Rollers: 12

Bearing: rolling bearing

Self-weight: 75g

Load capacity: 5kg

ØH	4	5	6	8
M(a)	M4	M4	M5	M5
状态			☆	
☆: 常备库存品				

										HANGFA	
										QL-05B	
										www.hangfa.com	